

D101	D102	OPTION
0	0	EURO
1	0	USA1
0	1	JAPAN
1	1	USA2



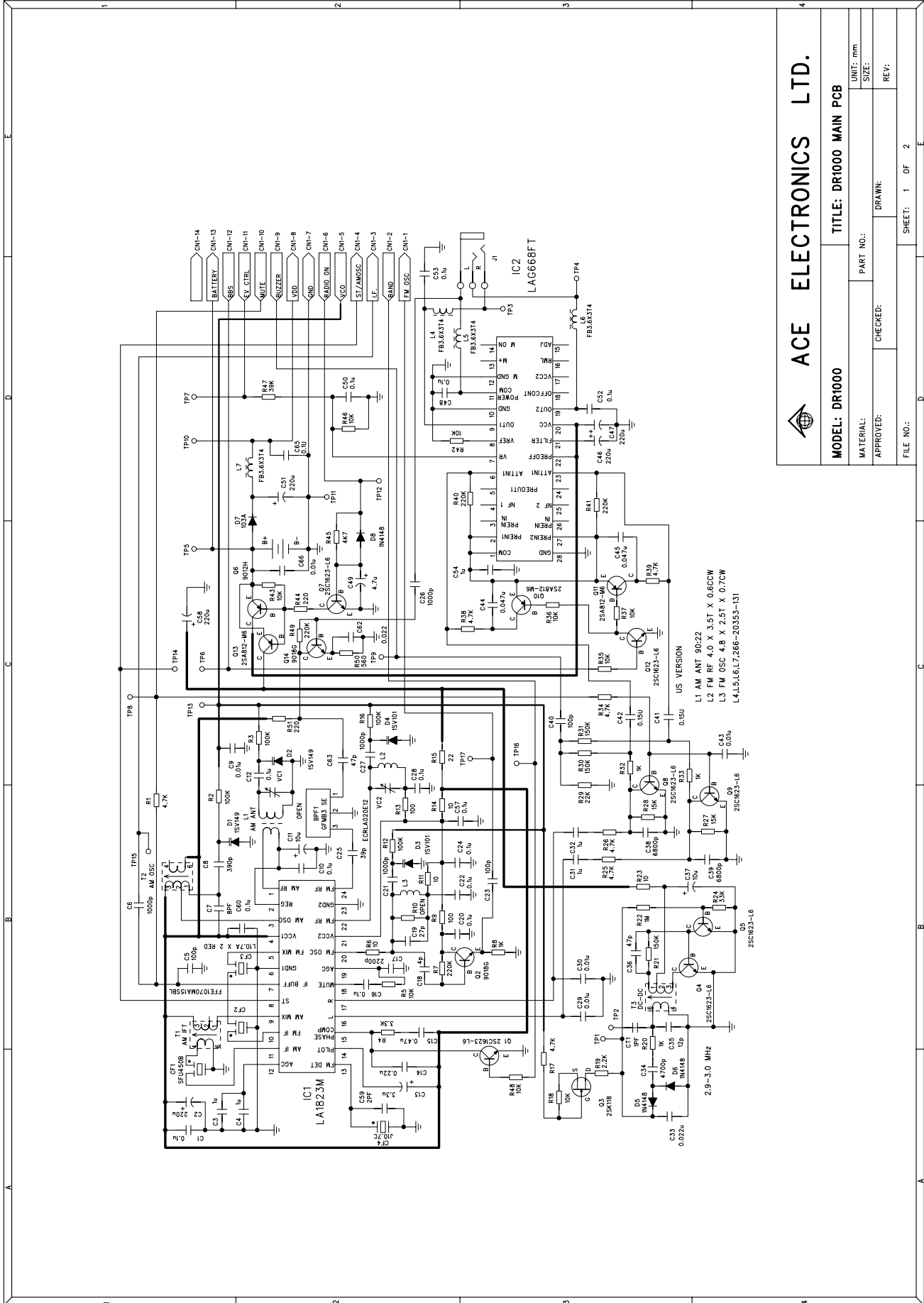
MODEL: DR1000 **TITLE: DR1000 KEY**

MATERIAL: PART NO.: UNIT: mm

APPROVED: CHECKED: SIZE:

FILE NO.: DRAWN: REV:

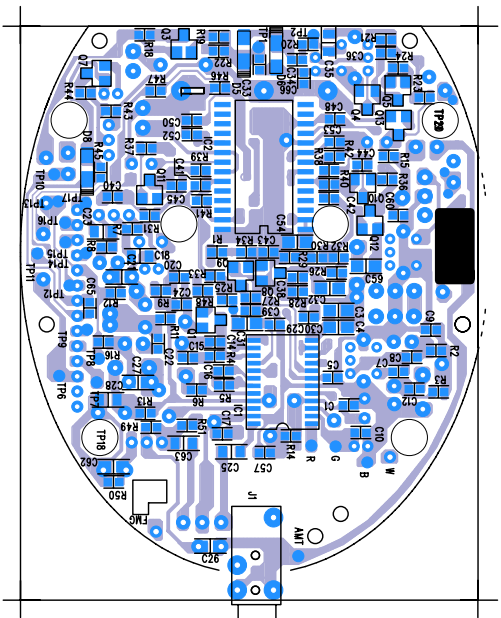
SHEET: 2 OF 2



ACE ELECTRONICS LTD.

MODEL: DR1000		TITLE: DR1000 MAIN PCB	
MATERIAL:	PART NO.:	UNIT: mm	SIZE:
APPROVED:	CHECKED:	DRAWN:	REV:
FILE NO.:		SHEET: 1 OF 2	

US VERSION
 L1 AM ANT 90222
 L2 FM RF 4.0 X 3.5T X 0.6CCW
 L3 FM OSC 4.8 X 2.5T X 0.7CW
 L4,L5,L6,L7,266-20353-131



BOTTOM COMPONENT SIDE

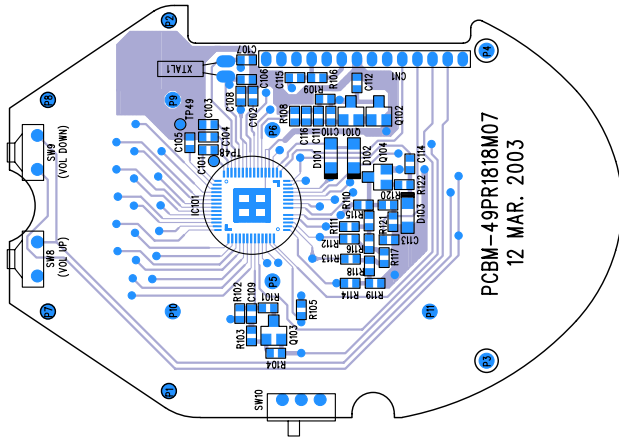
 **ACE ELECTRONICS LTD.**

MODEL : DR1000 **TITLE:DR1000 MAIN**

MATERIAL: **PART NO.:** **UNIT: mm**

APPROVED: **CHECKED:** **DRAWN:** **SCALE: 1:1**

FILE NO.: **REV:** **PAGE: 0F**



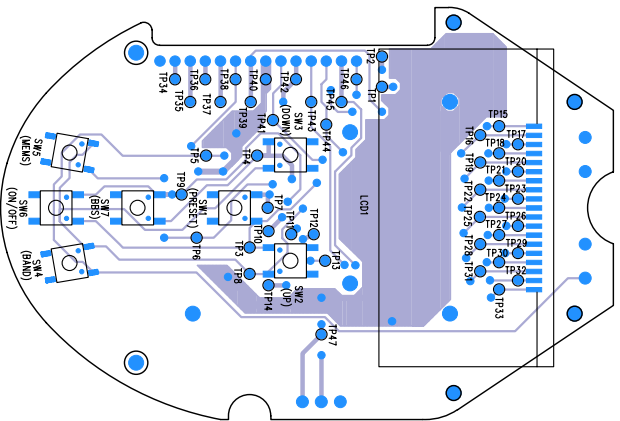
SUNNY-TECH Electronic Co.,Ltd
 PCBM-49PR18M07
 SCALE 1 : 1
 12 MAR. 2003
 LEGEND LAYER(2)
 FILE : 1818M07G/SST0126.PHO



MODEL : DR1000

TITLE:DR1000 KEY

MATERIAL:	PART NO.:		UNIT: mm
	CHECKED:		SCALE: 1:1
APPROVED:	DRAWN:		REV:
FILE NO.:			PAGE: OF



SUNNY-TECH Electronic Co.,Ltd
 PCBM-49PR1818M07
 SCALE 1 : 1
 12 MAR. 2003
 LEGEND LAYER(1)
 FILE : 1818M07G/SSB0229.PH0



ACE ELECTRONICS LTD.

MODEL : DR1000

TITLE:DR1000 KEY

MATERIAL:

PART NO.:

UNIT: mm

APPROVED:

CHECKED:

DRAWN:

SCALE: 1:1

REV:

FILE NO.:

PAGE: 0F

